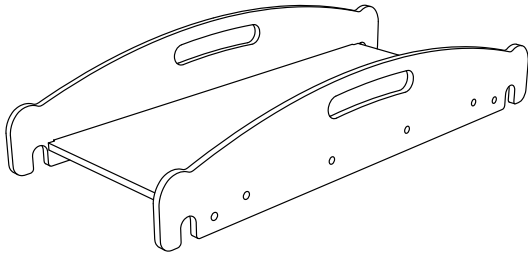


# Wild Climber "Crocodile - Slide"



**⚠ WARNING:**

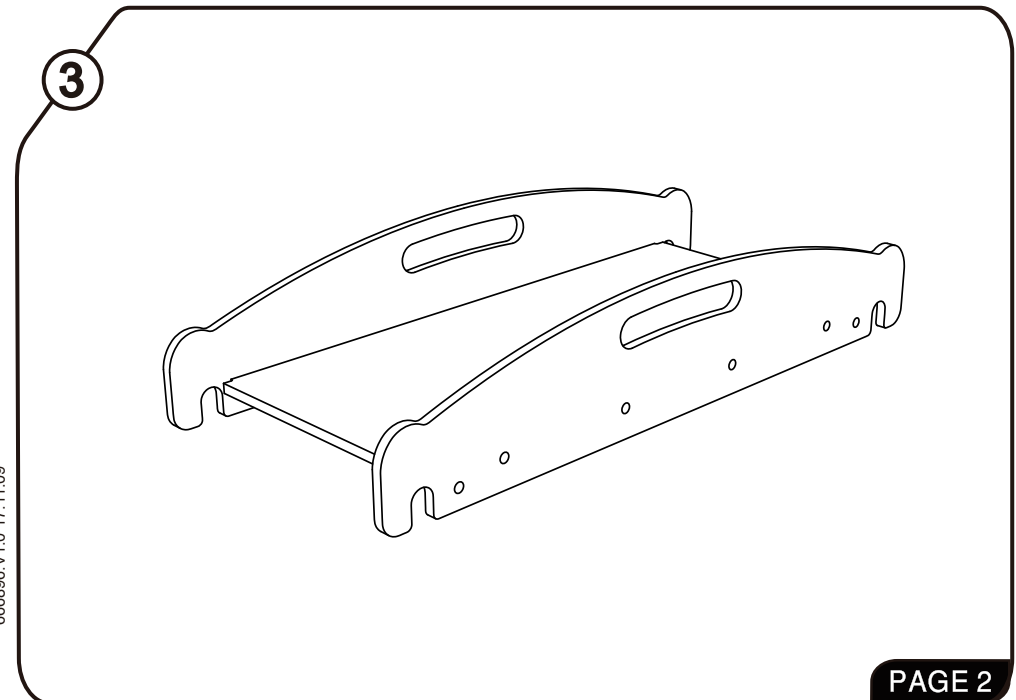
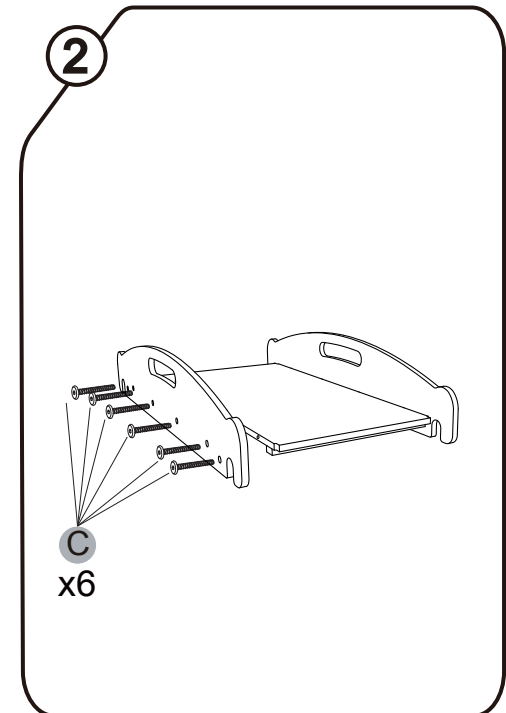
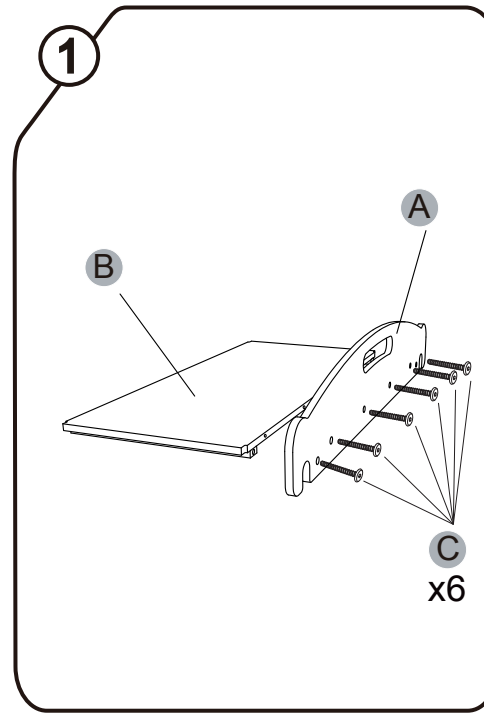
This toy requires adult assembly. Unassembled, it contains potentially hazardous points and small parts. Please keep it out of baby's reach.

**Contents**

NOTE: Please read instructions before assembly. Further instruction available at [www.beleduc.de/instructions](http://www.beleduc.de/instructions)

CE B18022

<p><b>A1</b></p> <p>x2</p>	<p><b>C</b> M6X37mm</p> <p>x12</p>	<p><b>D</b></p> <p>x1</p>
<p><b>B</b></p> <p>x1</p>		



666896.V1.0 17.11.09