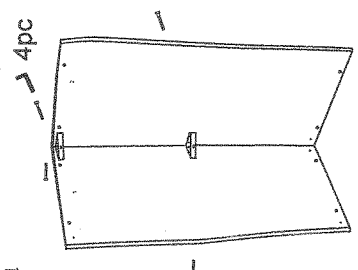
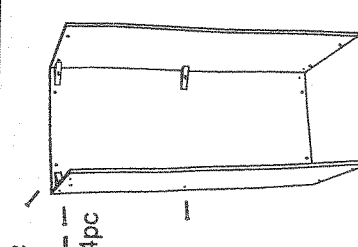
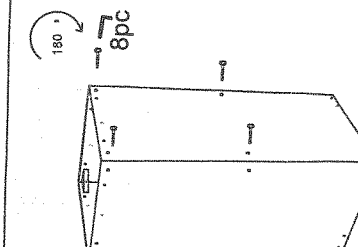
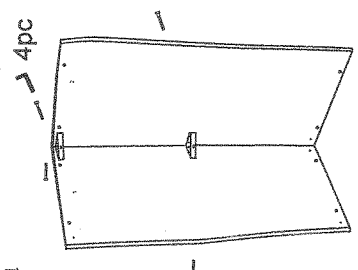
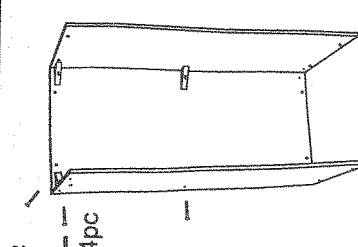
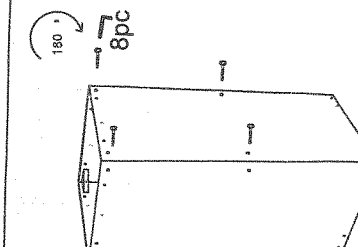
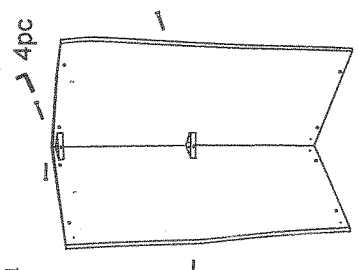
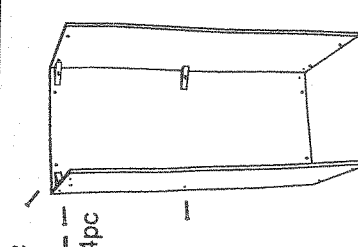
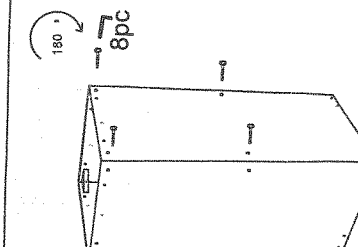
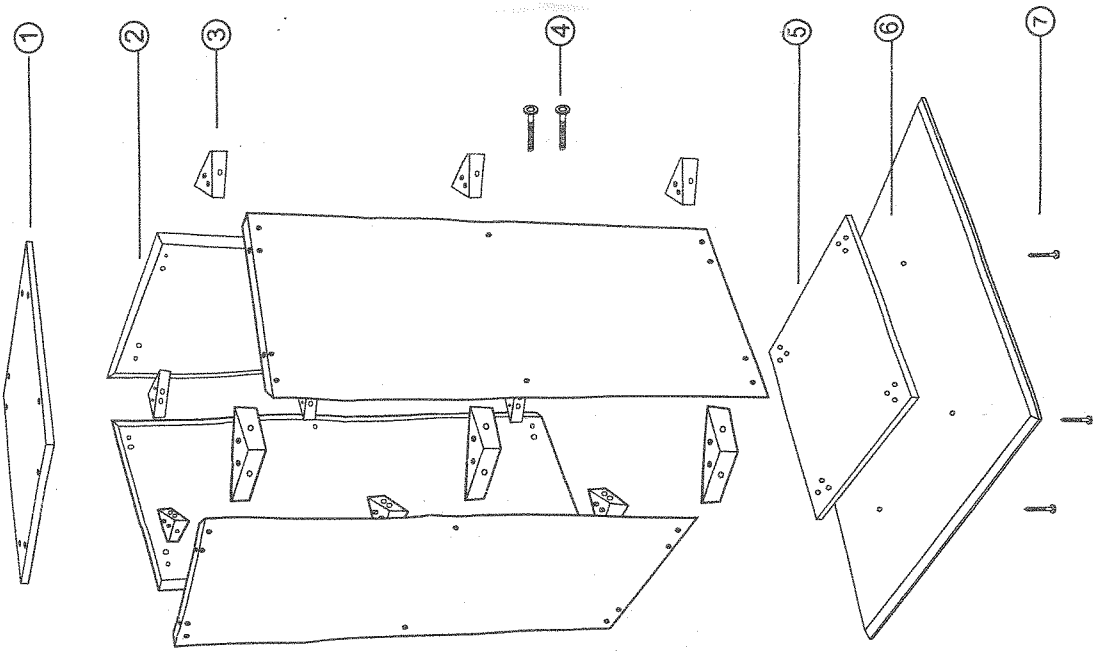


<p>1</p>  <p>4pc</p>	<p>Assemble No.1 and No.2 side board with the triangle block and hexagonal-head screw</p>	<p>2</p>  <p>4pc</p>	<p>Assemble No.4 board with the triangle block and hexagonal-head screw</p>	<p>3</p>  <p>180° 8pc</p>	<p>Assemble No.3 board with the triangle block and hexagonal-head screw then turn the box over</p>
<p>4</p>  <p>8pc</p>	<p>Assemble the bottom triangle block</p>	<p>5</p>  <p>8pc</p>	<p>Assemble the top bottom board</p>	<p>6</p>  <p>180° 4pc</p>	<p>After assembled the big bottom board with the cross screw, then turn the box over</p>
<p>7</p>  <p>8pc</p>	<p>Assemble the top board</p>	<p>8</p> 	<p>Now you get the box</p>	<p>9</p> 	



- 1. top board 1pcs
- 2. side board 4pcs No.1/No.2/No.3/No.4
- 3. triangle block 12pcs
- 4. hexagonal head screw 40pcs
- 5. bottom board 1pcs
- 6. big bottom board 1pcs
- 7. cross screw 4pcs