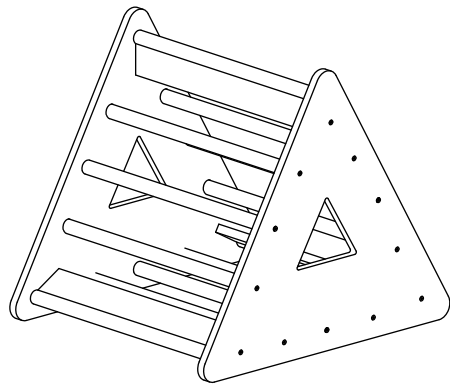


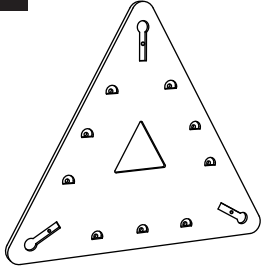
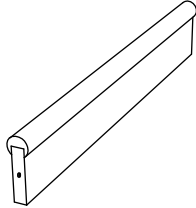



67302
Triangular Trestle
三角台

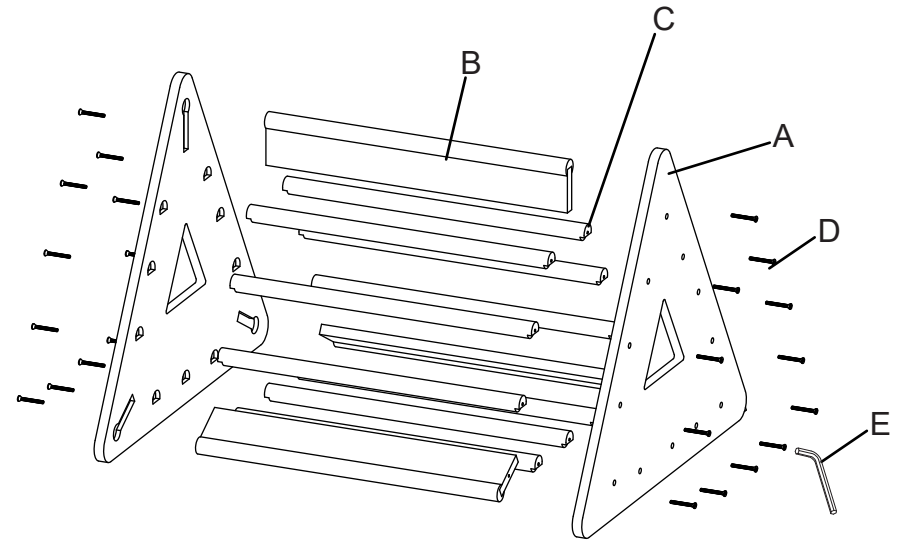
© beleduc 2025
 beleduc Lernspielwaren GmbH
 Heinrich-Heine-Weg 2
 09526 Olbernhau, Germany
 info@beleduc.de-www.beleduc.de



Contents NOTE: Please read instructions before starting to assemble

内 容 注意:开始组装前请阅读说明书

<p>A</p>  <p>x2</p>	<p>B</p>  <p>x3</p>	<p>C</p>  <p>x9</p>
<p>D</p>  <p>x24</p>	<p>E</p>  <p>x1</p>	<p>page 1</p>



Warning!

- Observing the following statements and warnings reduces the likelihood of serious or fatal injury.
- Only for domestic use.
- Adult installation only and keep children away!
- children must not use the equipment until properly installed
- Recommending on-site adult supervision for children of all ages.
- Inspect the hardware before use to prevent skin abrasions.
- Do not use the product in unintended ways; doing so may cause injury.
- Never secure the product using items not designed for playground equipment (e.g., jump ropes, clotheslines, leashes, cables, chains), as they create a strangulation hazard.
- Please wear fully enclosed footwear during play (open-toe shoes, slippers, and clogs are not permitted).

Main material: Plywood + beech
Material execution standard: EN71, ASTM F963, AS/NZS ISO8124, GB6675
Installation and adjustment: see assembly schematic.
Method of use and precautions: Please use the product after it has been firmly installed.
Please take care not to use the product with any missing or damaged accessories.
Please check regularly that the connection positions have not become loose.
When assembling and adjusting the product, please ensure that your fingers are not pinched.
Failure analysis and troubleshooting: If the product is unstable when in use, please check that the screws are tightened and that the floor is level.

Suitable age :18M+
After Sales Tel: +86 574 8690 0290

- ONLY for home use
- The climbing frame is for indoor use only.
- The climbing frame has a weight capacity of 70KG.
- No more than 2 people can play with a single product at the same time.
- It is recommended that the climbing frame is installed on a horizontal surface at least 2 metres away from other structures or obstacles such as fences, rubbish bins, houses, protruding branches, pipes of the laundry room or wires.
- Refer to the detailed procedures for installing the fixings with appropriate fasteners to prevent the support components from tipping over or being pulled up during normal use or foreseeable abuse.
- To reduce the risk of tipping, the fixture should be placed flush with the ground or below the ground.
- Moveable toy climbing frames should be installed above impact-absorbing surfaces, such as sand, wood chips, rubber and styrofoam, and not on concrete, tar or any other hard surface.
- Keep the assembly and installation instructions for future reference.
- Incorrect assembly could potentially result in the creation of a hazard. (e.g. collapse, tipping, clamping of hands and feet, etc.)
- DO NOT add other parts that not included in the set
- Maximum fall height of the climbing frames: 590mm

Beginning of Each Play Season:

- Tighten all hardware.
- Reinstall any parts, such as plastic fasteners, hardware, and PU pads.
- Inspect protective coverings on bolts, pipes, edges, and corners. Replace if damaged or missing.
- Check metal parts for rust. If found, sand and repaint using a nonlead-based paint meeting the requirements of 16 CFR 1303.
- Check all wood members for deterioration and splinters. Sand down splinters and replace deteriorating wood members.

Twice a month during play season:

- Tighten all hardware.
- Inspect protective coverings on bolts, pipes, edges, and corners. Replace if damaged or missing.

End of Each Play Season:

If ambient temperature falls below -10°C in winter, always operate the product in an indoor environment. Following this guideline preserves optimal functionality and longevity.

Maintenance instructions:

- Check regularly that all self-tapping screws are tight; tighten the screws if loose. Check the sharp edges of the screws and replace the screws if found.
- Check the stability before use to avoid tipping over
- Disposal Instructions:Disassemble and dispose of the playground equipment in such a way that no unreasonable hazards will exist at the time the equipment is discarded. Follow all local disposal requirements.
- Clean the product with a damp cloth and a small amount of detergent and allow the product to dry completely. Avoid contact with corrosive substances such as acids, alkalis or similar substances.

警告! 只允许成人安装, 儿童勿近! 仅限家庭使用。

主材质:夹板+榉木

材料执行标准:GB6675

产品安装和调整:见组装示意图

使用方法及注意事项:请在安装稳固后使用, 请注意不要在任何配件缺失或损坏的情况下使用该产品, 请定期检查连接位置是否有变松。组装和调整产品时, 请确保手指不会被夹到。

产品故障分析和排除:如果产品使用时不稳定, 请检查螺丝是否拧紧, 检查地面是否水平。

适用年龄:18M+

售后电话: +86 574 8690 0290

- 攀爬架仅供家庭使用。
- 攀爬架仅限于室内适用。
- 攀爬架承重要求不可超过70KG。
- 攀爬架单款产品不可超过2人以上同时玩耍。
- 建议玩具安装在距离如栅栏、垃圾箱、房屋、突出的树枝、洗衣间管道或电线等其他建筑或障碍物至少2m的水平面上。
- 请参考安装固定装置的详细步骤,用适当的紧固件,防止在正常使用或可预见的滥用时支撑部件翻倒或被拔起。
- 为减少倾倒的危险, 固定装置应放置在与地面平齐或地面以下。
- 请保存好组装和安装说明, 以备以后参考。
- 活动玩具攀爬架应安装在冲击吸收表面上方, 例如沙子、木屑、橡胶和泡沫塑料, 不能安装在混凝土、柏油或任何其他坚硬的表面上。
- 不正确的组装可能导致危险的发生(比如:坍塌、倾翻、夹手、夹脚等)。
- 消费者不能随意对玩具进行改装(比如:加攀爬绳、挂钩等)。
- 攀爬架最大跌落高度: 590mm

维护说明:

- 定期检查所有的自攻螺杆是否紧固, 若有松动请进行拧紧; 检查螺杆的锐利边, 如有发现请进行更换。
- 若不定期进行检查可能导致危险的发生(比如:坍塌、倾翻、夹手、夹脚等)。
- 用湿布和少量清洁剂清洁产品, 让产品完全干燥。避免接触腐蚀性物质, 如酸, 碱或类似物质。