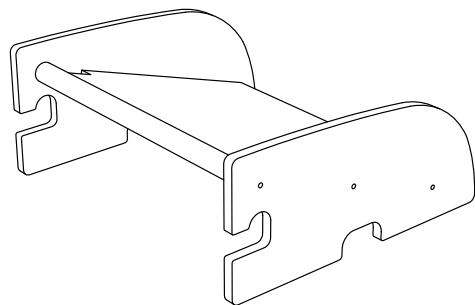


Wild Climber "Rhino - Slide"

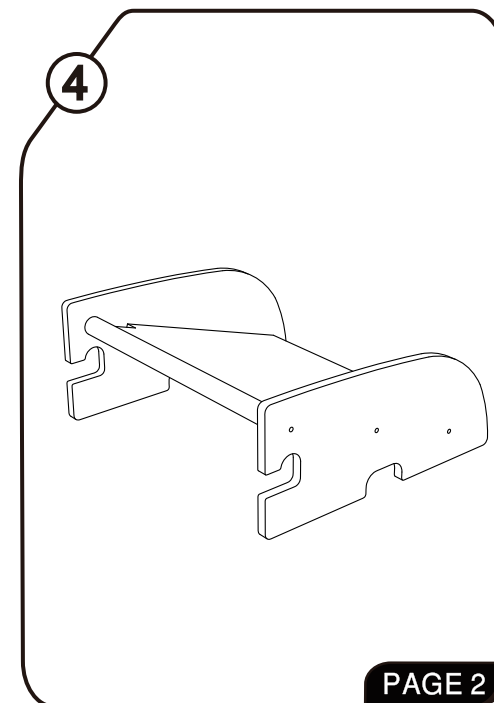
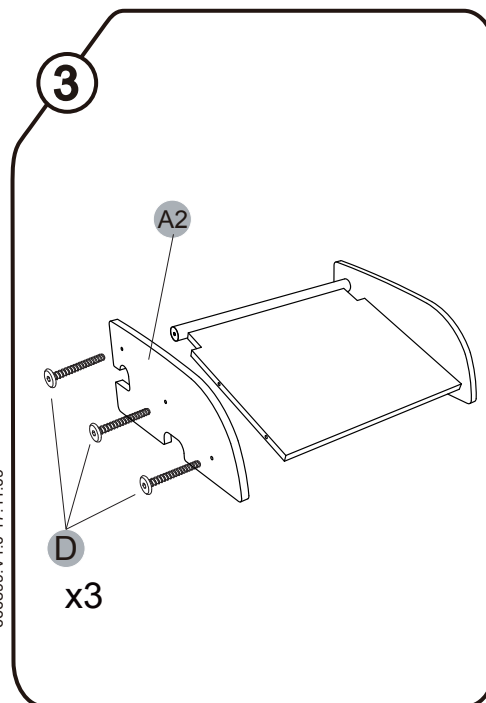
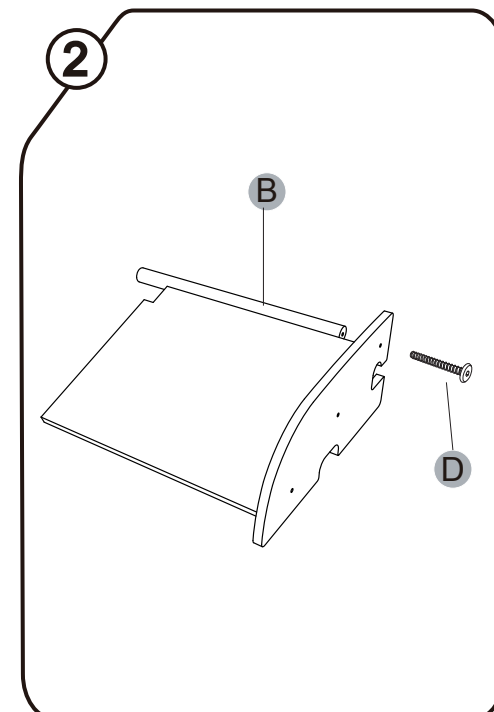
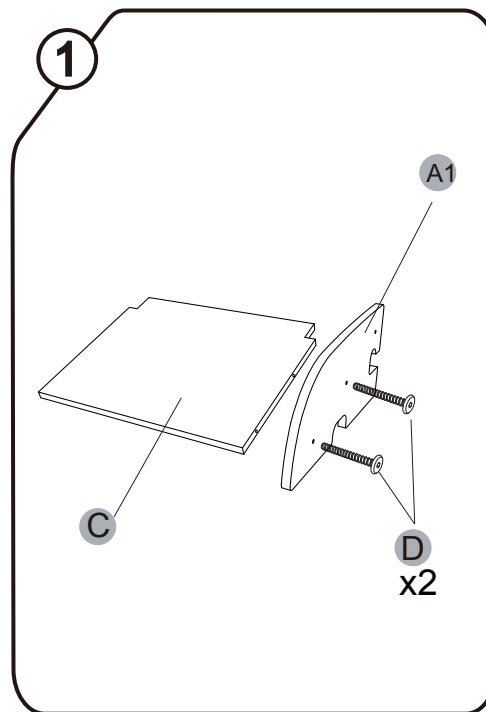


⚠ WARNING:
 This toy requires adult assembly.
 Unassembled, it contains potentially hazardous points and small parts.
 Please keep it out of baby's reach.

Contents NOTE: Please read instructions before assembly.
 Further instruction available at www.beleduc.de/instructions

CE B18025

<p>A1</p> <p>x1</p>	<p>A2</p> <p>x1</p>	<p>B</p> <p>x1</p>	
<p>C</p> <p>x1</p>		<p>D M6X37mm</p> <p>x6</p>	<p>E</p> <p>x1</p>



666899_V1.0_17.11.09